

Stock Code: **64065LEDDL-BS/WH**

Collection: Mid Town

### PRODUCT INFORMATION

Base: 64065 Parent: 64065LEDDL  
Mounting Type: Ceiling UPC: 641594240467  
Finish: Brushed Steel  
Diffuser: N/A

### PRODUCT MEASUREMENTS

FIXTURE	BACKPLATE / CANOPY
Length:	Length
Width:	Width:
Diameter 18"	Diameter:
Height: 5.5"	Height:
Extension:	
Overall Height: 50.5"	

### TECHNICAL SPECIFICATIONS

#### SPECIFICATIONS

Frame Material: Steel  
Diffuser Material: Fabric  
Lamping Type: E-26 (Replaceable LED Jbox: Standard  
Lamping Base: E-26 Lamp Wattage: 8.5 W  
Lamp Quantity: 3 Total Wattage: 25.5 W  
Voltage: 120v Lamps Included: Yes

#### QUALIFICATIONS

Location Rating Dry  
Certification: UL (US/Canada) Listed  
ADA Compliant: No Energy Star: No  
JA8 Compliant: Yes Emergency Lighting: No  
Marine Grade: No Warranty: 1 Year

#### PHOTOMETRICS

Dimmable: Yes Nominal Lumens N/A  
CRI: 90 Delivered Lumens: 2573 Lm  
CCT: 3000K  
Recommended Dimmers:  
(TRIAC)LEVITON Decora Sureslide 6674; (TRIAC)LUTRON  
Diva DVCL-153P; (TRIAC)LUTRON Skylark CL SCL-153 or SCL-  
153P; (TRIAC)LEVITON Decora Sureslide 6672;  
(TRIAC)LUTRON Ariadni/Toggler TGCL-153P

#### Additional Notes:

6, 16, and 22-inch down rods included; Optional 6, 16, and 22-inch down rods available (max 10 feet); 10 feet of cord included; Sloped ceiling adapter included; Custom Finish 5 Piece Minimum Order Quantity

Project Name: \_\_\_\_\_

Location: \_\_\_\_\_

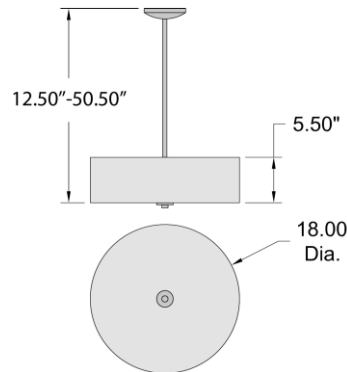
Type: \_\_\_\_\_

Quantity: \_\_\_\_\_

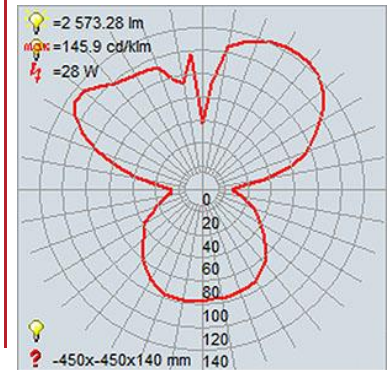
Notes: \_\_\_\_\_



#### LINE DRAWING



#### IES FILE



In addition to Access Lighting's purchase and warranty terms and conditions, by signing below or placing an order, you agree that you are authorized to bind the entity placing any order and acknowledge the following: All of sizes and measurements are approximate and all images are for illustrative purposes only. In the event of an inconsistency, the "Product Measurements" section controls. There also may be slight differences in the colors and designs compared to the displayed and printed images.

Signature: \_\_\_\_\_

Print Name \_\_\_\_\_ Date: \_\_\_\_\_

Toll Free 800-828-5483 [www.AccessLighting.com](http://www.AccessLighting.com)

14410 Myford Road, Irvine, CA 92606

